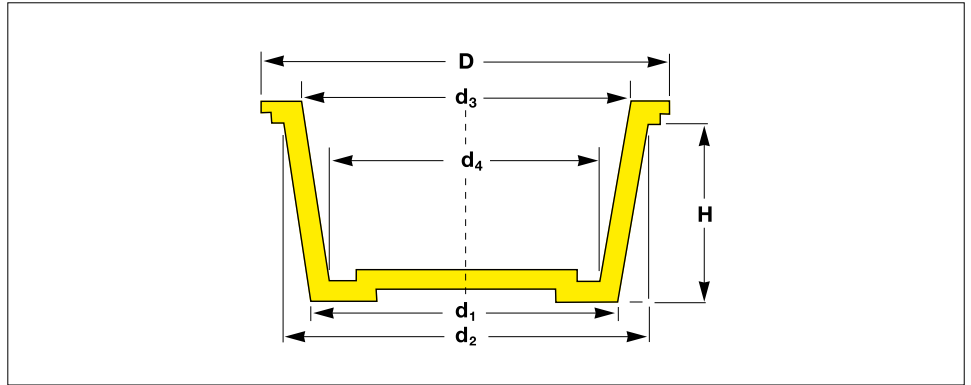


Tapered Protection Plugs / Caps

Low-cost. Can be used as either a cap or plug
Easy fitting and removal. Provide excellent protection from damage, dirt, moisture and corrosion during storage and transportation

immediate
FREE
SAMPLES



All dimensions in mm

Dimensions						Reference No.
d ₁	d ₂	d ₃	d ₄	D	H	
4.4	6.15	4.6	2.8	10.0	10.0	EP 280 / ○ 1
6.0	7.75	6.15	4.4	11.0	10.0	EP 280 / ○ 2
7.6	9.35	7.75	6.0	13.0	10.0	EP 280 / ○ 3
8.4	10.15	8.55	6.8	14.0	10.0	EP 280 / ○ 4
9.2	10.95	9.25	7.5	14.0	10.0	EP 280 / ○ 5
9.9	11.35	10.05	8.3	15.0	10.0	EP 280 / ○ 6
10.6	12.35	10.75	9.0	16.0	10.0	EP 280 / ○ 7
11.3	13.05	11.55	9.5	17.0	11.0	EP 280 / ○ 8
12.0	14.1	12.5	10.4	18.0	13.0	EP 280 / ○ 9
12.5	14.6	13.3	11.2	18.0	12.0	EP 280 / ○ 10
13.5	15.6	14.0	11.9	19.0	13.0	EP 280 / ○ 11
14.0	16.1	14.5	12.4	19.0	12.9	EP 280 / ○ 12
15.0	17.0	15.5	13.2	21.0	13.0	EP 280 / ○ 13
16.1	18.4	16.9	14.5	22.0	13.0	EP 280 / ○ 14
17.3	19.4	17.6	15.5	22.0	15.3	EP 280 / ○ 15
17.5	20.1	18.5	15.9	24.0	16.0	EP 280 / ○ 16
18.4	21.0	19.4	16.8	25.0	16.0	EP 280 / ○ 17
19.0	21.6	20.0	17.4	25.0	15.8	EP 280 / ○ 18
20.4	23.2	21.6	18.8	27.0	17.2	EP 280 / ○ 19
20.7	23.5	21.9	19.1	28.0	17.0	EP 280 / ○ 20
22.0	25.1	23.2	20.4	29.0	17.0	EP 280 / ○ 21
23.2	26.35	24.35	21.2	30.0	19.3	EP 280 / ○ 22
24.5	27.8	26.2	22.9	32.0	20.1	EP 280 / ○ 23
25.5	29.2	27.7	23.7	33.0	21.0	EP 280 / ○ 24
27.8	31.1	29.5	26.2	35.0	20.1	EP 280 / ○ 25
29.8	32.6	31.1	28.3	37.0	17.1	EP 280 / ○ 26
31.4	35.1	33.4	29.7	38.0	22.0	EP 280 / ○ 27
33.3	37.1	35.5	31.7	41.0	23.4	EP 280 / ○ 28
36.7	40.5	39.0	35.2	45.0	23.4	EP 280 / ○ 29
38.4	40.7	39.2	36.9	45.0	13.0	EP 280 / ○ 291
38.2	43.0	41.4	36.6	47.5	23.0	EP 280 / ○ 30

Material :
LLD-PE,
linear low density polyethylene

Standard Colours :
yellow

Low-cost. Can be used as either a cap or plug. Easy fitting and removal. Provide excellent protection from damage, dirt, moisture and corrosion during storage and transportation.

Think Plastic. Go Protec.®

PROTEC
PLASTICS

Should your requirements not be shown please ask for separate quotation.
PROTEC products and specifications are subject to improvement and change without notice.

Tapered Protection Plugs / Caps

Low-cost. Can be used as either a cap or plug

Easy fitting and removal. Provide excellent protection from damage, dirt, moisture and corrosion during storage and transportation

TRIPLE ADVANTAGE of PROTEC CAPTOP®

QUALITY. Provide excellent protection from damage, dirt, moisture and corrosion during storage and transportation.

AVAILABILITY. With over 400 million moulded components shipped from our Oststeinbek / Hamburg logistics center we provide the fastest on time delivery service to all markets and industries.

PHILOSOPHY. Innovative protective closures at the best price in the market.



All dimensions in mm

Dimensions						Reference No.
d ₁	d ₂	d ₃	d ₄	D	H	
39.6	42.9	41.3	38.0	48.0	20.1	EP 280 / ○ 31
41.4	44.7	43.0	39.7	48.4	19.0	EP 280 / ○ 32
44.4	47.7	46.1	42.8	51.0	20.1	EP 280 / ○ 33
45.2	49.6	48.0	43.6	54.0	27.0	EP 280 / ○ 34
46.6	51.0	48.7	45.2	55.0	26.0	EP 280 / ○ 35
52.5	56.9	55.2	50.8	62.0	26.0	EP 280 / ○ 36
54.0	59.3	57.8	52.5	65.0	25.0	EP 280 / ○ 37
54.2	58.6	57.0	52.6	65.0	26.0	EP 280 / ○ 38
58.4	62.8	61.1	56.7	67.0	26.0	EP 280 / ○ 39
60.7	67.1	64.3	57.5	75.0	30.0	EP 280 / ○ 40
67.1	70.4	68.7	65.4	75.0	19.0	EP 280 / ○ 41
72.4	75.7	74.1	70.8	83.0	19.0	EP 280 / ○ 42
84.5	87.8	85.7	82.4	92.0	19.0	EP 280 / ○ 43

Should your requirements not be shown please ask for separate quotation.

PROTEC products and specifications are subject to improvement and change without notice.

Material :
LLD-PE,
linear low density polyethylene

Standard Colours :
yellow

Individual Productions :
On request we develop and produce individually tailored solutions next to the standard items of this range: additional dimensions, different materials and new colours

We would be pleased to advise you.

Think Plastic. Go Protec.®

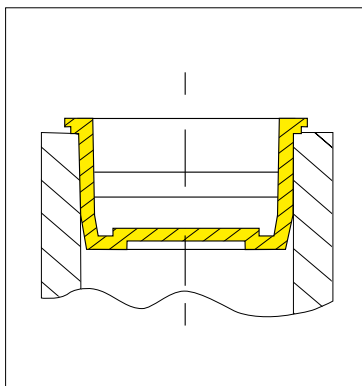
PROTEC
PLASTICS

Selection Guide for INTERNAL PROTECTION



Used as a Plug

All dimensions in mm



Metric Internal Thread					Reference No.	
Standard thread	Fine thread		BSP	DIN 40430		
M 6			M 6 × 0.5		EP 280 - ○ 01	
M 8			M 8 × 1		EP 280 - ○ 02	
M 10			M 10 × 1,25		EP 280 - ○ 03	
M 11			M 10 × 1	.1/8"	EP 280 - ○ 04	
M 12					EP 280 - ○ 05	
		M 12 × 1	M 12 × 1.5		EP 280 - ○ 06	
M 14				PG 7	EP 280 - ○ 07	
			M 14 × 1.5	.1/4"	EP 280 - ○ 08	
			M 15 × 1.5		EP 280 - ○ 09	
M 16			M 15 × 1	PG 9	EP 280 - ○ 10	
			M 16 × 1.5		EP 280 - ○ 11	
M 18			M 17 × 1.5	.3/8"	EP 280 - ○ 12	
			M 18 × 1.5		EP 280 - ○ 13	
M 20	M 18 × 2 M 20 × 2				EP 280 - ○ 14	
			M 20 × 1.5	PG 11	EP 280 - ○ 15	
				.1/2"	EP 280 - ○ 16	
M 22	M 22 × 2			PG 13.5	EP 280 - ○ 17	
M 24			M 22 × 1.5		EP 280 - ○ 18	
	M 24 × 2			.5/8"	PG 16	EP 280 - ○ 19
			M 24 × 1.5		EP 280 - ○ 20	
M 27					EP 280 - ○ 21	
	M 27 × 2		M 26 × 1.5	.3/4"	EP 280 - ○ 22	
M 30			M 27 × 1.5		EP 280 - ○ 23	
	M 30 × 2		M 28 × 1.5	.7/8"	PG 21	EP 280 - ○ 24
M 33			M 30 × 1.5		EP 280 - ○ 25	
M 36	M 33 × 2		M 32 × 1.5 M 33 × 1.5	1."	EP 280 - ○ 26	
	M 36 × 3		M 35 × 1.5		EP 280 - ○ 27	
M 39 M 42	M 39 × 3	M 36 × 2	M 36 × 1.5 M 38 × 1.5	1.1/8"	PG 29	EP 280 - ○ 28
	M 42 × 3	M 39 × 2 M 42 × 2	M 39 × 1.5 M 40 × 1.5	1.1/4"		EP 280 - ○ 29
					EP 280 - ○ 291	
M 45			M 42 × 1		EP 280 - ○ 30	
M 48	M 45 × 3		M 42 × 1.5	1.3/8"	EP 280 - ○ 31	
		M 45 × 2	M 45 × 1.5		EP 280 - ○ 32	
M 52		M 48 × 2		1.1/2"	PG 36	EP 280 - ○ 33
			M 48 × 1.5		EP 280 - ○ 34	
M 56	M 52 × 3	M 52 × 2	M 50 × 1.5		EP 280 - ○ 35	
M 60		M 56 × 2	M 55 × 1.5		PG 42	EP 280 - ○ 36
M 64	M 60 × 4				EP 280 - ○ 37	
M 64		M 58 × 2 M 60 × 2	M 58 × 1.5	2."	PG 48	EP 280 - ○ 38
M 68	M 64 × 4		M 60 × 1.5 M 62 × 1.5			EP 280 - ○ 39
	M 68 × 4	M 64 × 2	M 65 × 1.5	2.1/4"		EP 280 - ○ 40
		M 72 × 2	M 70 × 1.5			EP 280 - ○ 41
		M 76 × 2	M 75 × 1.5	2.1/2"		EP 280 - ○ 42
	M 90 × 4			3."		EP 280 - ○ 43

Material :
LLD-PE,
linear low density polyethylene

Standard Colours :
yellow

Low-cost. Can be used as either a cap or plug. Easy fitting and removal. Provide excellent protection from damage, dirt, moisture and corrosion during storage and transportation.

Think Plastic. Go Protec.®

PROTEC
PLASTICS

Should your requirements not be shown please ask for separate quotation.
PROTEC products and specifications are subject to improvement and change without notice.

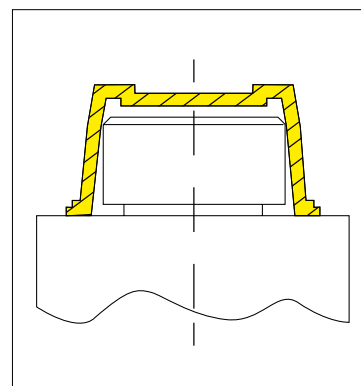
Tapered Protection Plugs / Caps

Selection Guide for EXTERNAL PROTECTION

Used as a Cap

All dimensions in mm

Metric External Thread				Reference No.	
Standard thread	Fine thread		BSP		DIN 40430
M 4		M 4 × 0.5			EP 280 - ○ 01
M 5		M 5 × 0.5			EP 280 - ○ 02
M 6		M 6 × 0.5			EP 280 - ○ 03
M 8		M 8 × 1			EP 280 - ○ 04
					EP 280 - ○ 05
		M 10 × 1			EP 280 - ○ 06
M 10			.1/8"		EP 280 - ○ 07
					EP 280 - ○ 08
M 12	M 12 × 1	M 12 × 1.5			EP 280 - ○ 09
				PG 7	EP 280 - ○ 10
			.1/4"		EP 280 - ○ 11
M 14		M 14 × 1.5			EP 280 - ○ 12
					EP 280 - ○ 13
M 16		M 16 × 1.5		PG 9	EP 280 - ○ 14
			.3/8"		EP 280 - ○ 15
M 18	M 18 × 2	M 18 × 1.5			EP 280 - ○ 16
					EP 280 - ○ 17
				PG 11	EP 280 - ○ 18
M 20	M 20 × 2	M 20 × 1.5		PG 13.5	EP 280 - ○ 19
			.1/2"		EP 280 - ○ 20
M 22	M 22 × 2	M 22 × 1.5			EP 280 - ○ 21
M 24	M 24 × 2	M 24 × 1.5	.5/8"	PG 16	EP 280 - ○ 22
					EP 280 - ○ 23
M 27	M 27 × 2	M 26 × 1.5 M 27 × 1.5	.3/4"		EP 280 - ○ 24
	M 28 × 2	M 28 × 1.5		PG 21	EP 280 - ○ 25
M 30	M 30 × 2	M 30 × 1.5	.7/8"		EP 280 - ○ 26
M 33	M 33 × 2	M 32 × 1 M 33 × 1.5			EP 280 - ○ 27
	M 34 × 2	M 35 × 1.5	1."		EP 280 - ○ 28
		M 38 × 1.5	1.1/8"	PG 29	EP 280 - ○ 29
	M 38 × 2	M 38 × 1.5			EP 280 - ○ 291
M 39	M 39 × 3	M 39 × 2 M 39 × 1.5 M 40 × 1.5			EP 280 - ○ 30
	M 40 × 3	M 40 × 2 M 40 × 1.5			EP 280 - ○ 31
M 42	M 42 × 3	M 42 × 2 M 42 × 1.5	1.1/4"		EP 280 - ○ 32
M 45	M 45 × 3	M 45 × 2 M 45 × 1.5	1.3/8"		EP 280 - ○ 33
					EP 280 - ○ 34
M 48	M 48 × 3	M 48 × 2 M 48 × 1.5	1.1/2"	PG 36	EP 280 - ○ 35
M 52	M 52 × 3	M 52 × 2 M 52 × 1.5	1.3/4"	PG 42	EP 280 - ○ 36
	M 56 × 4	M 56 × 2 M 55 × 1.5			EP 280 - ○ 37
	M 55 × 4	M 55 × 2 M 55 × 1.5			EP 280 - ○ 38
	M 60 × 4	M 58 × 2 M 60 × 2 M 58 × 1.5 M 60 × 1.5	2."	PG 48	EP 280 - ○ 39
M 62		M 62 × 1.5			EP 280 - ○ 40
					EP 280 - ○ 41
	M 72 × 4	M 72 × 2 M 72 × 1.5			EP 280 - ○ 42
					EP 280 - ○ 43



Material :
LLD-PE,
linear low density polyethylene

Standard Colours :
yellow

Individual Productions :
On request we develop and produce individually tailored solutions next to the standard items of this range: additional dimensions, different materials and new colours

We would be pleased to advise you.

Think Plastic. Go Protec.®

**PROTEC
PLASTICS**

Should your requirements not be shown please ask for separate quotation.
PROTEC products and specifications are subject to improvement and change without notice.